



GLS LIGHTING AND CONTROLS SPOTLIGHT

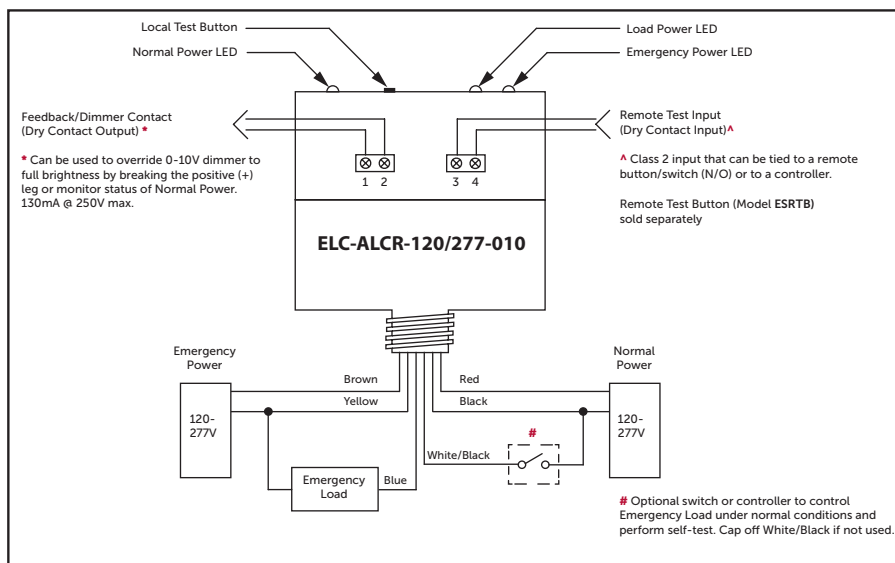
Functional Devices ELC-ALCR-120/277-010

Utilize your emergency lighting fixtures as normal lighting fixtures with the use of a 2020 NEC Article 700.26 compliant ALCR from Functional Devices. This device allows full dimming control of egress lighting with your normal lighting control system but illuminates egress fixtures to full output upon loss of normal power. Great way to dual purpose light fixtures for both normal and emergency use. For use with alternate emergency power sources such as generators or lighting inverters. For more information please contact **GLS Lighting and Controls at 303.394.0220**.

ELC-ALCR-120/277-010

Enclosed Relay 20 Amp SPST Automatic Load Control Relay with 120-277 Vac Coil Input

UL924 / 20 AMP AUTOMATIC LOAD CONTROL RELAY



[Click here for full product specs!](#)

